

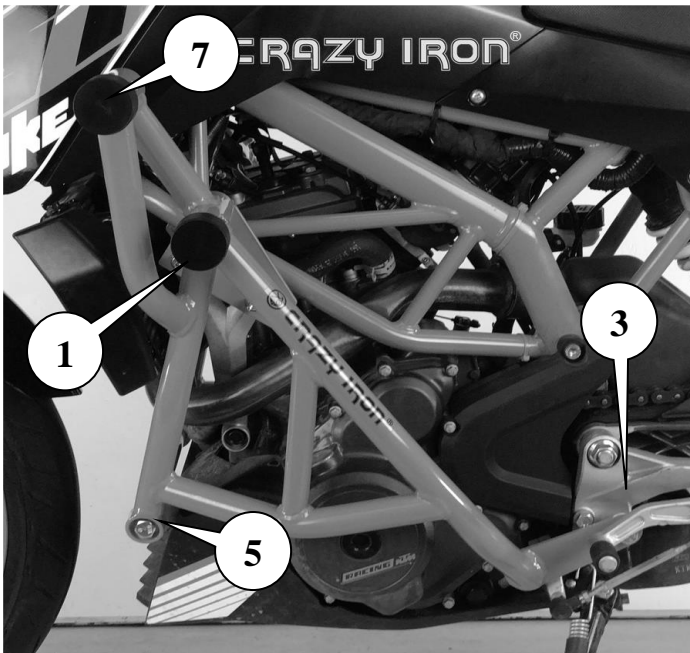
Crazy Iron



KTM Duke 390 2021-
ID: 9009112/9009117/900911

Complete set and assembly scheme:

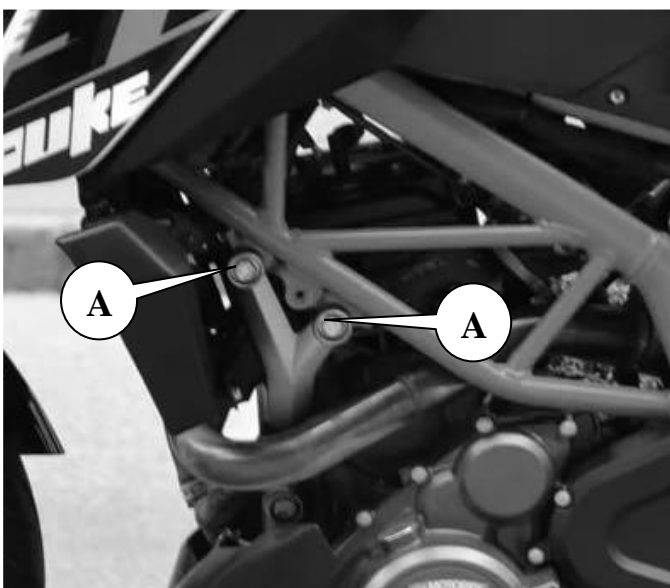
Left side:



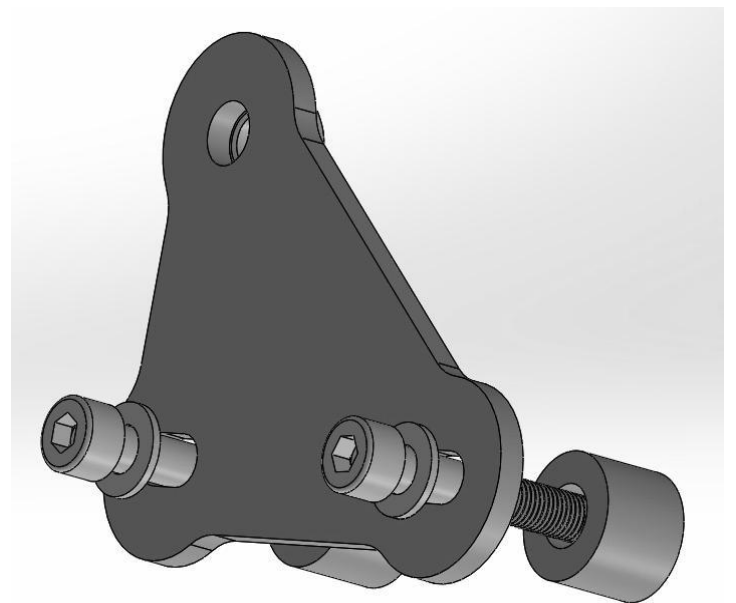
Right side:



Place for mounting of plate:



Fitting of plate





Comments:

NEVER LOOSEN ENGINE BOLTS FROM THE LEFT AND RIGHT SIDES AT THE SAME TIME!!!

1. Contact a specialized service, do not install the cage yourself!
2. Remove fairing elements if they can interfere the installation of Plate
3. Remove original bolt from points A on the right side and attach Plate to points A with bolts and spacers and fix.
4. Remove original bolt from points A on the left side and attach Plate to points A with bolts and spacers and fix.
5. Install fairing back.
6. Remove original bolts from point 4 on the right side of motorcycle.
7. Attach right side of cage to points 4 and 2 and fix with bolt M10x120 through spacer 20x10x16 in point 4 and with bolt Bolt M10x40 in point 2
8. Remove original bolts from point 3 on the right side of motorcycle.
9. Attach right side of cage to points 3 and 1 and fix with bolt M10x120 through spacer 20x10x16 in point 3 and with bolt Bolt M10x40 in point 1
10. Install between points №5 and №6 the brace and fix it with Bolts M10x1,25x30. Choose the type of brace so that there is no contact when the motorcycle is moving.
11. Tighten the fasteners according to the table.
12. Install sliders in points NoNo1,2,7,8 and fix them with screws. In case Damper Cages use Damper sliders. In case crash bars install sliders only in points 1 and 2.

Tightening torques Nm		
Thread	Connection type	
	Steel	Aluminum
M6	10	6
M8	24	20
M10	48	35
M12	56	45

Component table with according numbers in the photo:

№	Items					
	Plate	Bolt M8x50 or Bolt M8x45	Spring washer	Spacer 20x10x17	Slider	Screw
1						
		Bolt M8x50 or Bolt M8x45	Spring washer	Spacer 20x10x17		
						
		Bolt M10x40				
2						
		Bolt M8x50 or Bolt M8x45	Spring washer	Spacer 20x10x17		
						
		Bolt M10x40				
3	Bolt M10x120	Spacer 20x10x16	Spring washer	Washer		
						
4	Bolt M10x120	Spacer 20x10x16	Spring washer	Washer		
						
5	Bolt M10x1,25x30	Spring washer	Washer	Brace Type 1 or L=300		
						
6	Bolt M10x1,25x30	Spring washer	Washer			
						
7	Slider	Screw				
						
8	Slider	Screw				
						