

ADJUSTABLE SABCAGE CNC KAWASAKI Z900

ID: 4055423

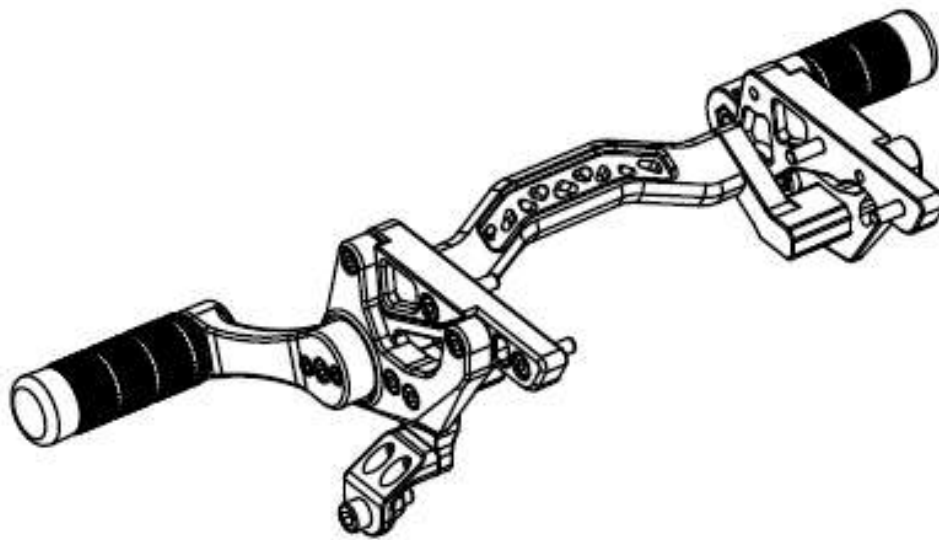


Fig. 1 Adjustable sabcage, general view

It is installed on the seats of the factory standard footrests.

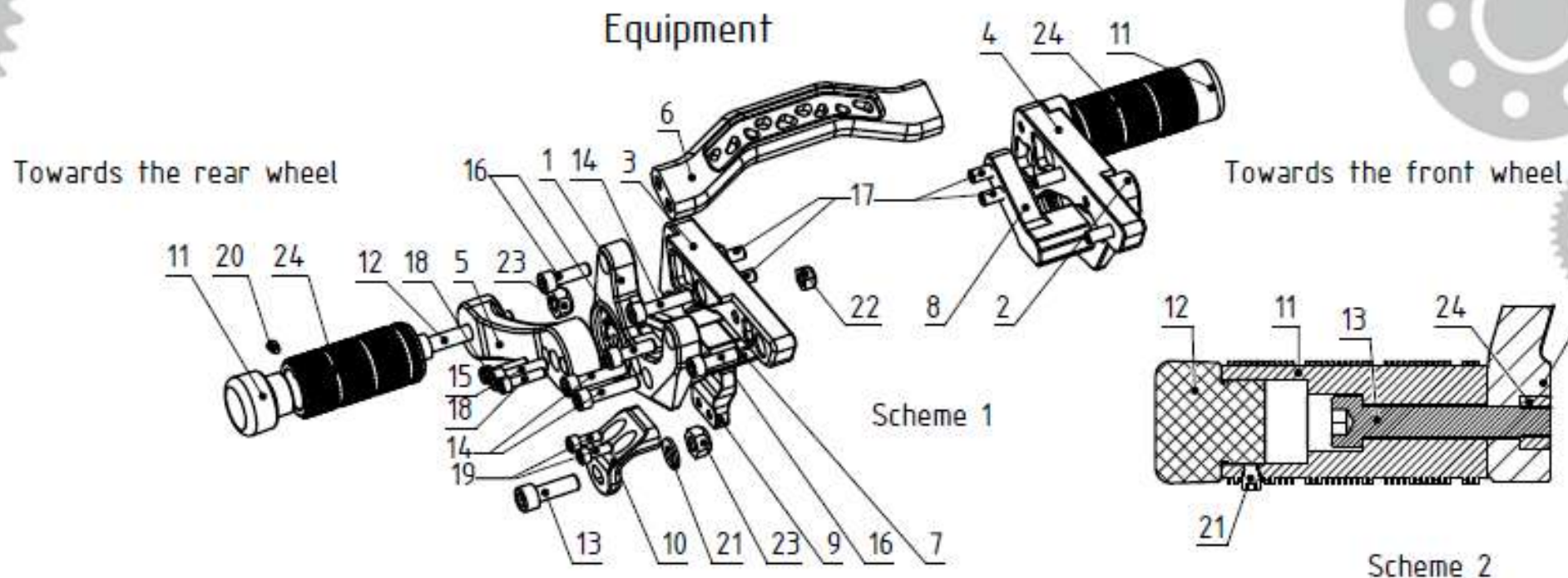
The mounting of the original silencer is provided.

The sabcage has 10 positions for adjusting the angle of attack of the footrests.

Material:

- aluminum alloy 7075.
- Sliders: polyamide.

\*\*The manufacturer reserves the right to make changes to the design of products and parts that do not degrade the quality of the product, as well as to change the appearance of individual parts, without prior notice.



Position	Designation	Quantity
1	The bracket is right	1
2	The bracket is left	1
3	Adapter right Z900	1
4	Adapter left Z900	1
5	The pega bracket	2
6	The jumper	1
7	Jumper adapter right	1
8	Jumper adapter left	1
9	Mounting the muffler (adapter)	1
10	Mounting the muffler	1
11	Protective slider	2
12	Screw M10 x 60 DIN 912	2

Position	Designation	Quantity
13	Screw M10 x 30 DIN 912	1
14	Screw M8 x 35 DIN 912	4
15	Screw M8 x 30 DIN 912	2
16	Screw M8 x 25 DIN 912	6
17	Screw M8 x 20 DIN 912	8
18	Screw M6 x 25 DIN 912	4
19	Screw M6 x 16 DIN 912	2
20	Mounting screw M6 x 8 DIN 915	2
21	Puck 10.5 DIN 125	1
22	Nut M8 DIN 985	2
23	Nut M10 DIN 985	3
24	The footboard	2

Table 1

# Mounting

\*We advise you not to install the product yourself and contact a specialized service.

1. Remove the original passenger footrests.

To do this, unscrew the 2 screws securing the original passenger footrests on the right and the similar screws on the left of the motorcycle.

2. On the right side of the motorcycle, it is necessary to unscrew the original fastener of the original muffler (screw M10).

3. The sabcage is pre-supplied fully assembled, installed in assembled form.

4. Align the mounting holes of the adapters with the mounting holes of the original passenger footrests on the stretcher and fix them using fasteners 17 and 15 (screws M8x25 and M8x35). Please note that the screws position 15 (Screw M8x35) must be screwed into the mounting hole in the adapters farthest (from the front wheel) (right and left).

5. Place the footrests in a position that is convenient for you (see Diagram 1).

6. Using the mounting kit for positions 14, 22 and 24, fix the original muffler to the sabcage through the original muffler ear.

7. Tighten the sabcage fasteners to the recommended tightening torques shown in Table 2.

\*We recommend, to protect against vibrations and involuntary unscrewing of fasteners, when assembling and fixing the adjustable sabcage, use a medium-strength threaded joint retainer.

Tightening torques Nm		
Thread	Connection type	
	Steel	Aluminum
M6	10	6
M8	24	20
M10	48	35
M12	56	45

Table 2 Recommended tightening torques of fasteners.