

Subcage KTM 250, 390 ADVENTURE
 ID: 9007113

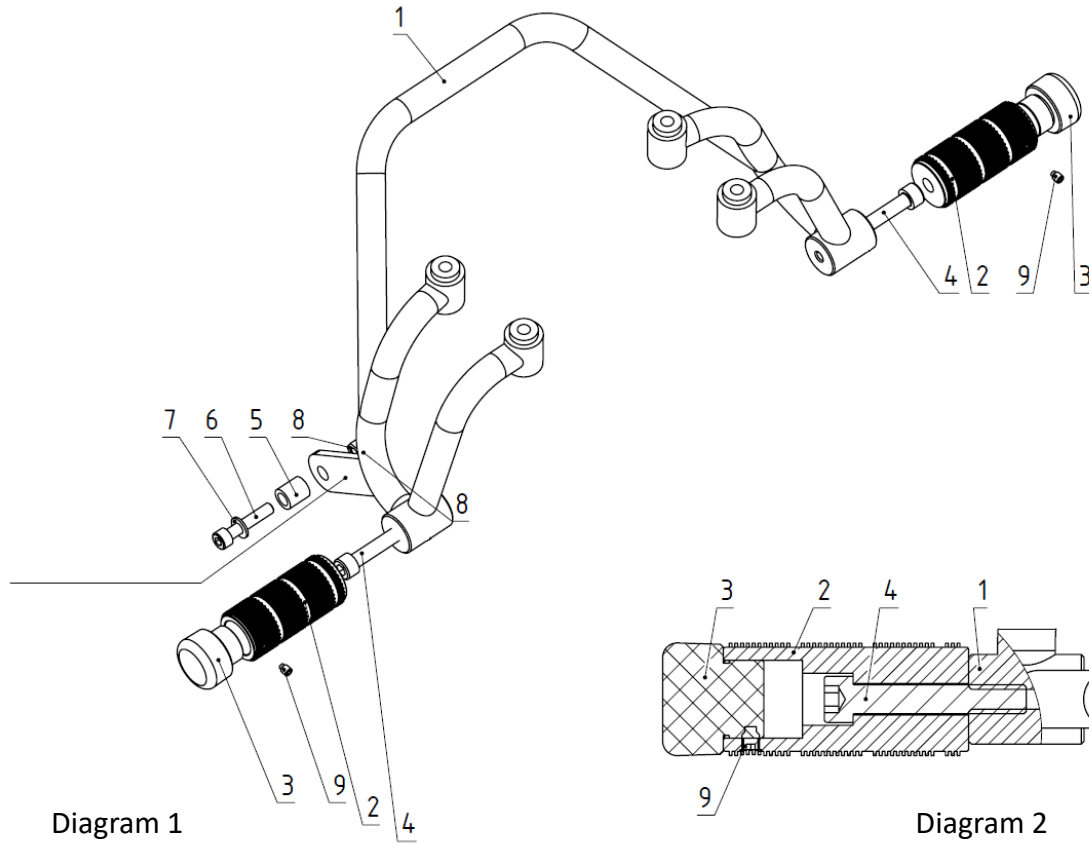


Diagram 1

Diagram 2

No	Item	Q-ty
1	Subcage KTM 250, 390 ADVENTURE 9007113	1
2	Peg	2
3	Slider	2
4	Bolt M10 x 1.25 x 60 DIN 912	2
5	Spacer 16x10x18	1
6	Bolt M8 x 40 DIN 912	1
7	Washer	1
8	Nut M8	1
9	Bolt DIN 915 - M6 x 8-N	2

Tighten the fasteners according to the table:

Tightening torques Nm		
Thread	Connection type	
	Steel	Aluminum
M6	10	6
M8	24	20
M10	48	35
M12	56	45