



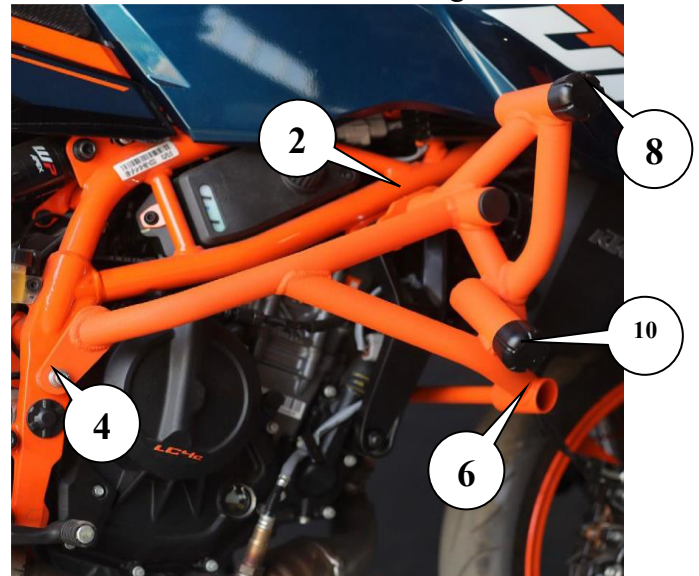
**KTM Duke 390 2024-
ID: 9012112/9012117**

Complete set and assembly scheme:

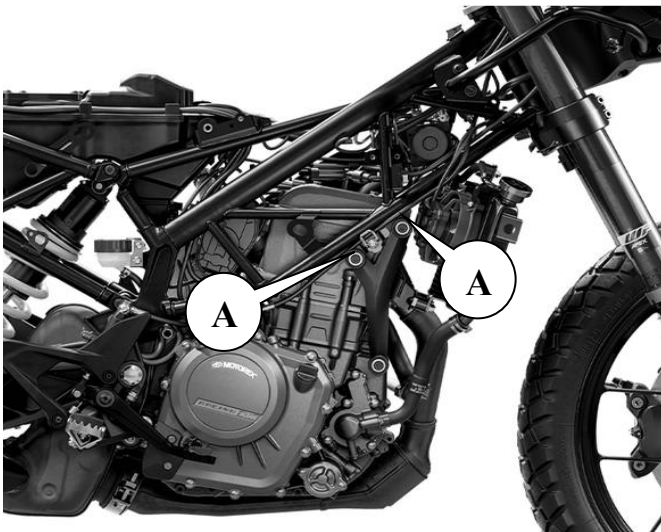
Left side (fairing needs some modification):



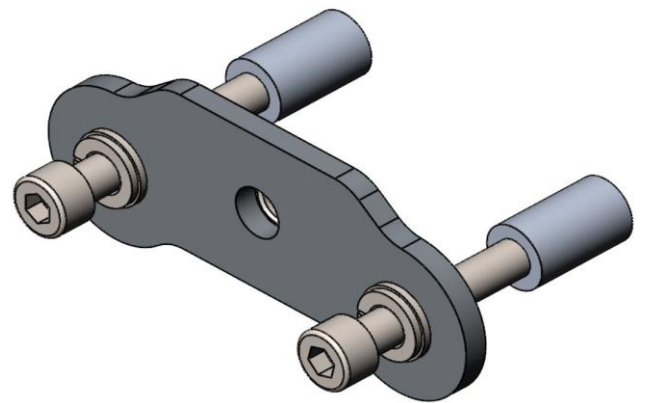
Right side:



Place for mounting of plate:



Fitting of plate



Comments:

NEVER LOOSEN ENGINE BOLTS FROM THE LEFT AND RIGHT SIDES AT THE SAME TIME!!!

In points A use bolts M8x60 for DUKE 390

1. Contact a specialized service, do not install the cage yourself!
 2. Remove fairing elements if they can interfere the installation of Plate
 3. Remove original bolt from points A on the right side and attach Plate to points A with bolts and spacers and fix.
 4. Remove original bolt from points A on the left side and attach Plate to points A with bolts and spacers and fix.
 5. Remove original bolts from point 4 on the right side of motorcycle.
 6. Attach right side of cage to points 4 and 2 and fix with bolt M8x40 through spacer in point 4 and with bolt M10x40 in point 2
 7. Remove original bolts from point 3 on the right side of motorcycle.
 8. Attach right side of cage to points 3 and 1 and fix with bolt M8x40 through spacer in point 3 and with bolt M10x40 in point 1
 9. Install between points No5 and No6 the brace (L= 370 mm) and fix it with Bolts M10x1,25x30
 10. Tighten the fasteners according to the table.
 11. Install sliders in points NoNo7, 8, 9, 10 and fix them with screws. In case Damper Cages use Damper sliders.
- In case crash bars install sliders only in points 1 and 2.

Tightening torques Nm		
Thread	Connection type	
	Steel	Aluminum
M6	10	6
M8	24	20
M10	48	35
M12	56	45

Component table with according numbers in the photo:

No	Items
----	-------

1	Plate	Bolt M8x60	Spring washer, Washer	Spacer 14x8x23	Decorative cap
		Bolt M8x60	Spring washer, Washer	Spacer 14x8x23	
					
		Bolt M10x40			
					
2	Plate	Bolt M8x60	Spring washer, Washer	Spacer 14x8x23	Decorative cap
		Bolt M8x60	Spring washer, Washer	Spacer 14x8x23	
					
		Bolt M10x40			
					
3	Bolt M8x40	Spacer 24x8x10	Spring washer	Washer	
					
4	Bolt M8x40	Spacer 24x8x10	Spring washer	Washer	
					
5	Bolt M10x1,25x30	Spring washer	Washer	Brace L=370	
					
6	Bolt M10x1,25x30	Spring washer	Washer	Brace L=370	
					
7	Slider	Screw			
					
8	Slider	Screw			
					
9	Slider	Screw			
					
10	Slider	Screw			
					