

Subcage Yamaha MT-07
 ID: 3400113

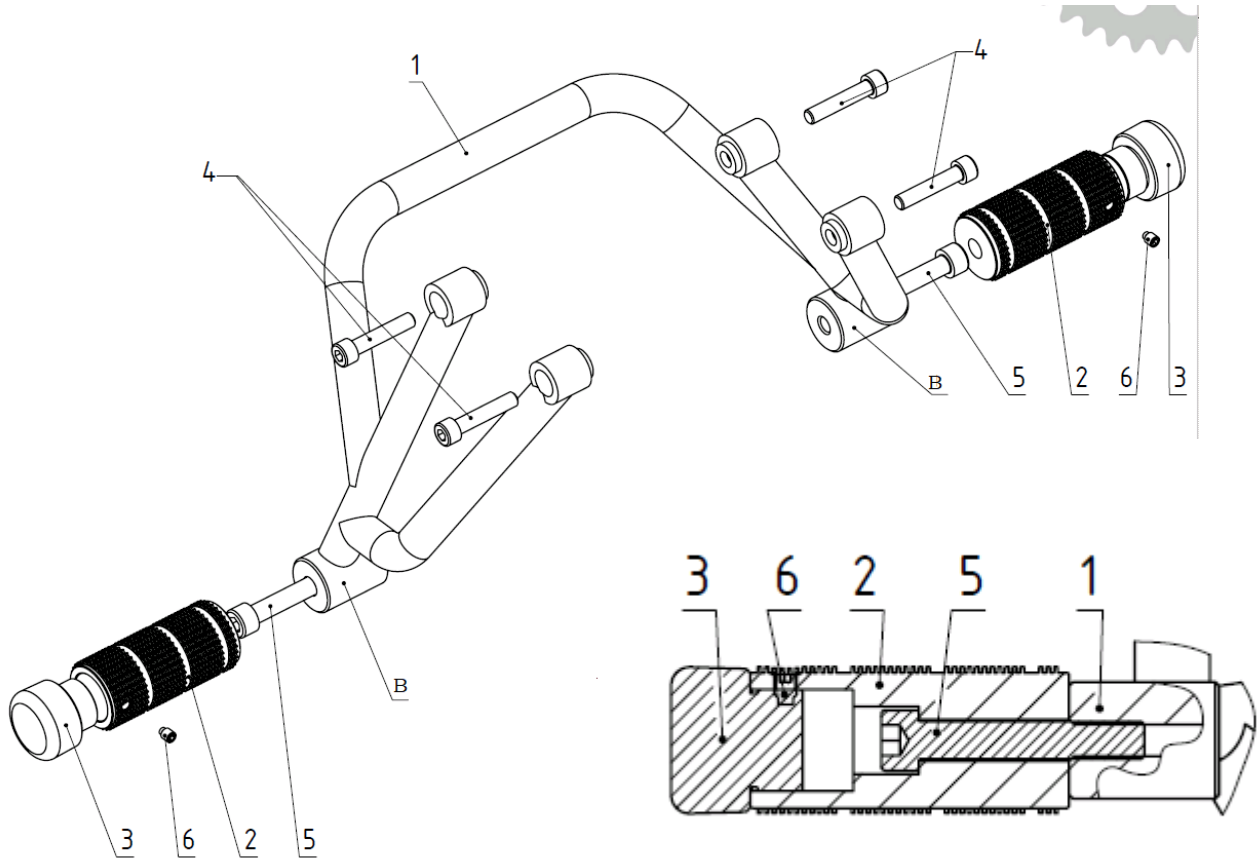


Diagram 1

Diagram 2

No	Item	Q-ty
1	Subcage MT-07 id 3400113	1
2	Peg	2
3	Slider	2
4	Bolt M8 x 40 DIN 912	4
5	Bolt M10 x 1.25 x 60 DIN 912	2
6	Bolt DIN 915 - M6 x 8-N	2

Tighten the fasteners according to the table:

Tightening torques Nm		
Thread	Connection type	
	Steel	Aluminum
M6	10	6
M8	24	20
M10	48	35
M12	56	45