

Subcage Yamaha MT-09, MT-09 SP `21-  
ID: 3080913

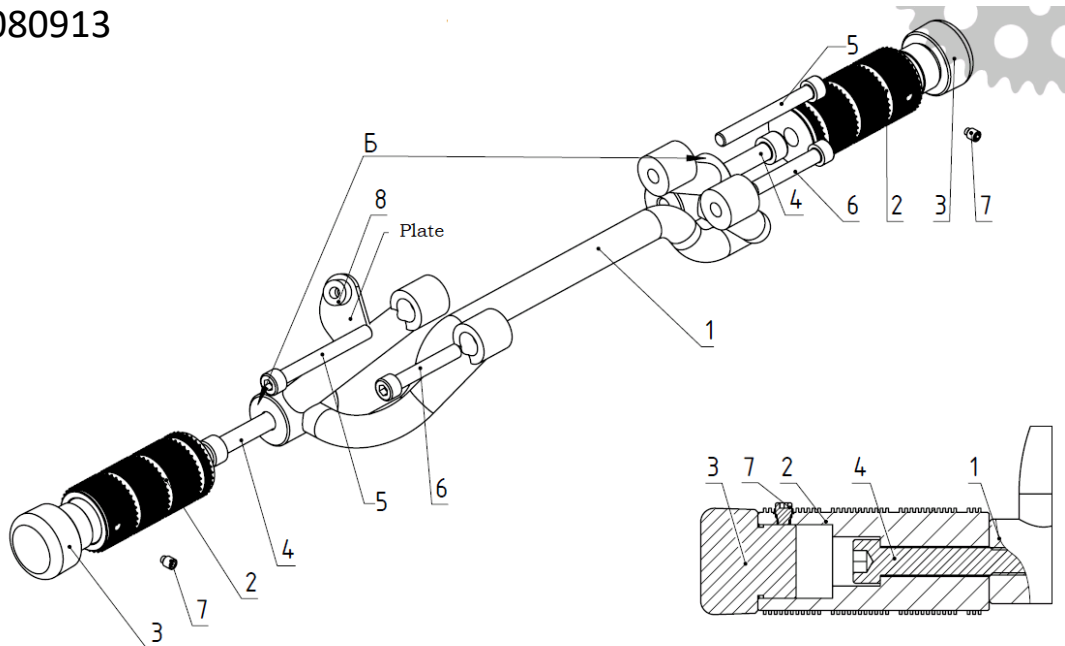


Diagram 1

Diagram 2

Nº	Item	Q-ty
1	Subcage MT-09 id 3080913	1
2	Peg	2
3	Slider	2
4	Bolt M10 x 1.25 x 60 DIN 912	2
5	Bolt M8 x 70 DIN 912	2
6	Bolt M8 x 50 DIN 912	2
7	Bolt DIN 915 - M6 x 8-N	2
8	3080913 Spacer	1

Tighten the fasteners according to the table:

Tightening torques Nm		
Thread	Connection type	
	Steel	Aluminum
M6	10	6
M8	24	20
M10	48	35
M12	56	45