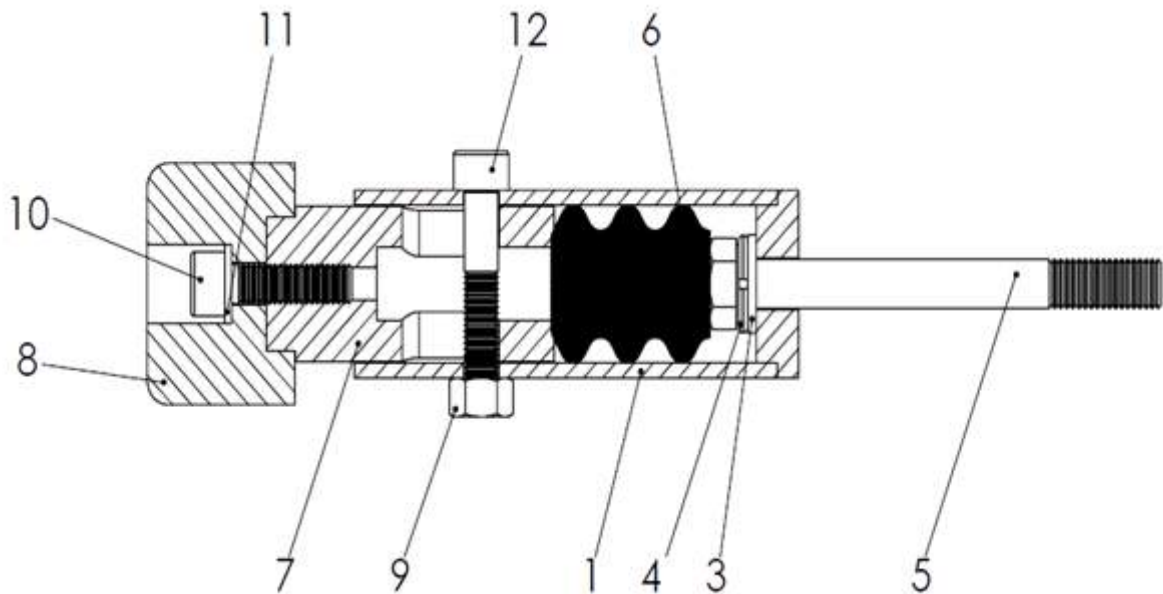


## Damper slider



No	id	item	Q-ty
1	5119.3	Pipe (element of cage)	1
3	Washer DIN 125 - A 10.5	Washer	1
4	DIN 6905-11-FSt	Spring washer	1
5	M10 / M12	Bolt of mounting cage to motorcycle	1
6	Damper	Damper element (rubber)	1
7	5119.1	Aluminium spacer	1
8	5119.2	Slider	1
9	M8	Nut	1
10	DIN 912 M8 x 40	Bolt	1
11	Washer DIN 125 - A 8.4	Washer	1
12	DIN 912 M8 x 45	Bolt	1